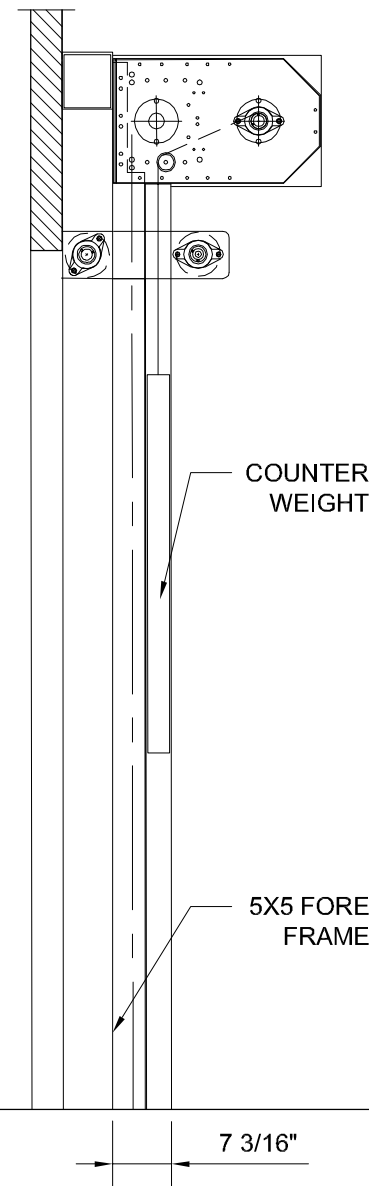
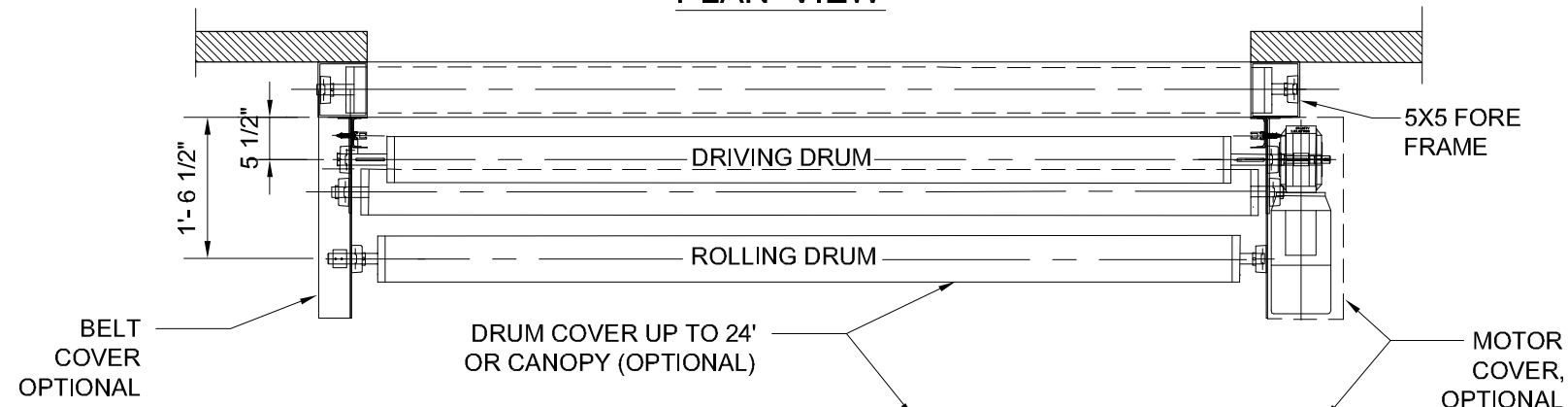
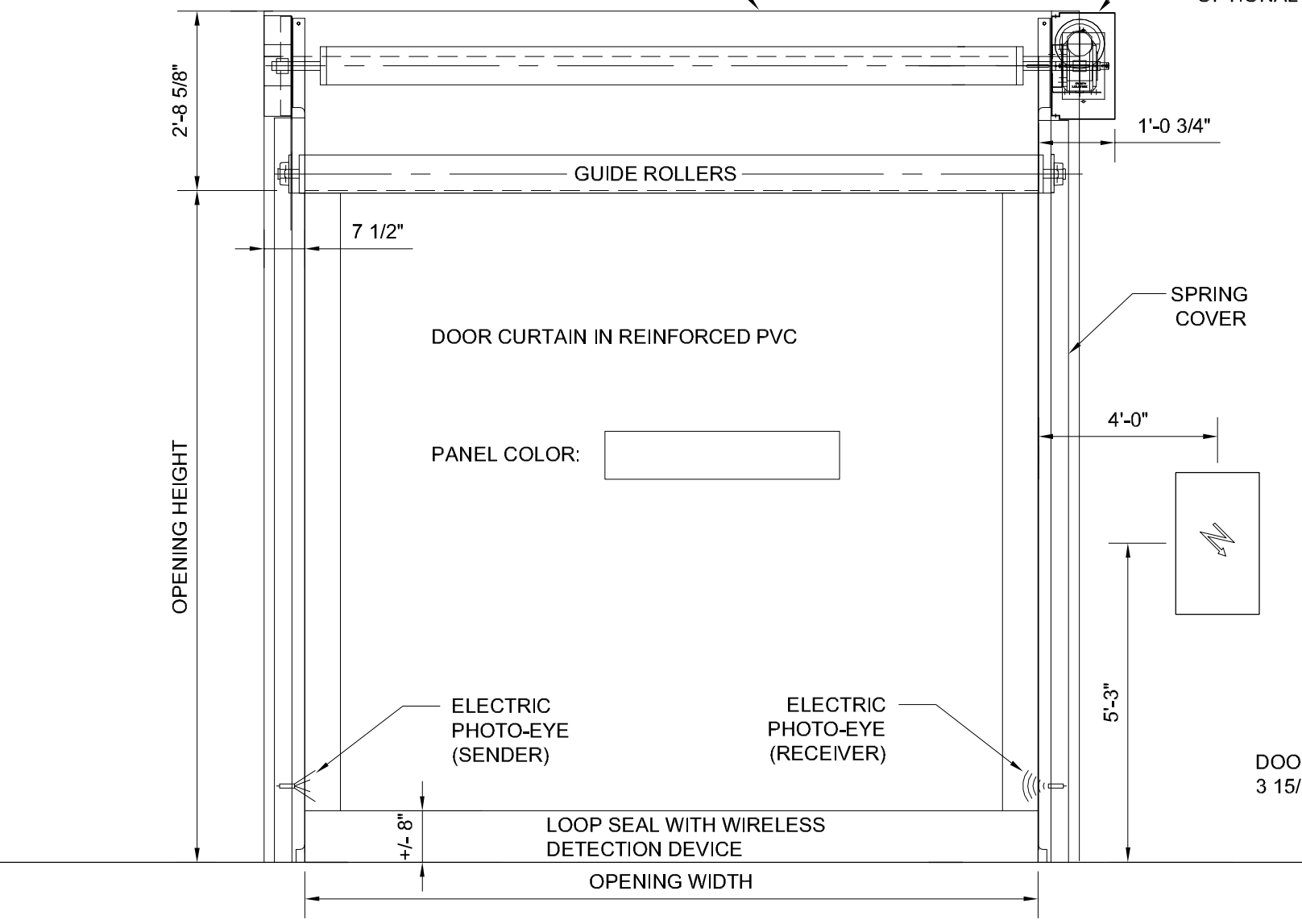


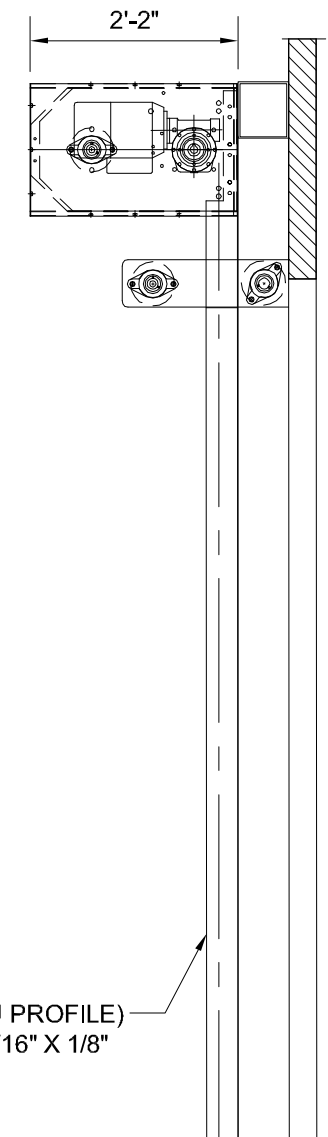
PLAN VIEW



ELEVATION VIEW - LEFT



ELEVATION VIEW - FRONT



ELEVATION VIEW - RIGHT

DOOR TYPE.: M3 ALL WEATHER - RIGHT HAND MOTOR

DOOR NO.:	LOCATION:	OPENING SIZE (W X H):	MIN. HEADROOM REQUIRED:

DYNACO
HIGH PERFORMANCE DOORS
TEL. (800) 459 1930 FAX. (800) 459 1960

PROJECT TITLE

ADDRESS (CITY, STATE)	
QUOTE NUMBER:	XXXXXXXXXX
DEALER:	XXXXXXXXXX
REGIONAL MANAGER:	CONTACT NUMBER:
XXXXXXXXXX	(XXX) XXX-XXXX

DATE:
01/08/2009
SCALE:
1/2" = 1'-0"
FILE NO.:
M3-ALLWTHR-RH

SHEET NO.

1 OF 1